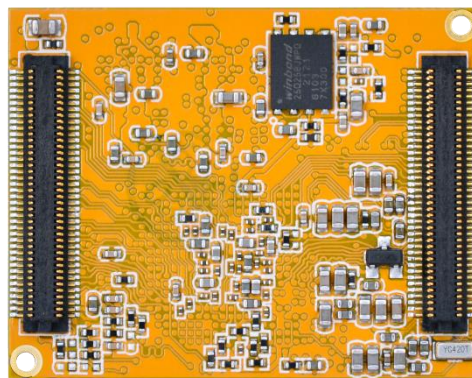
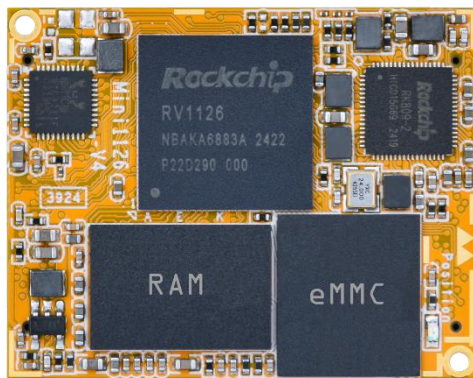


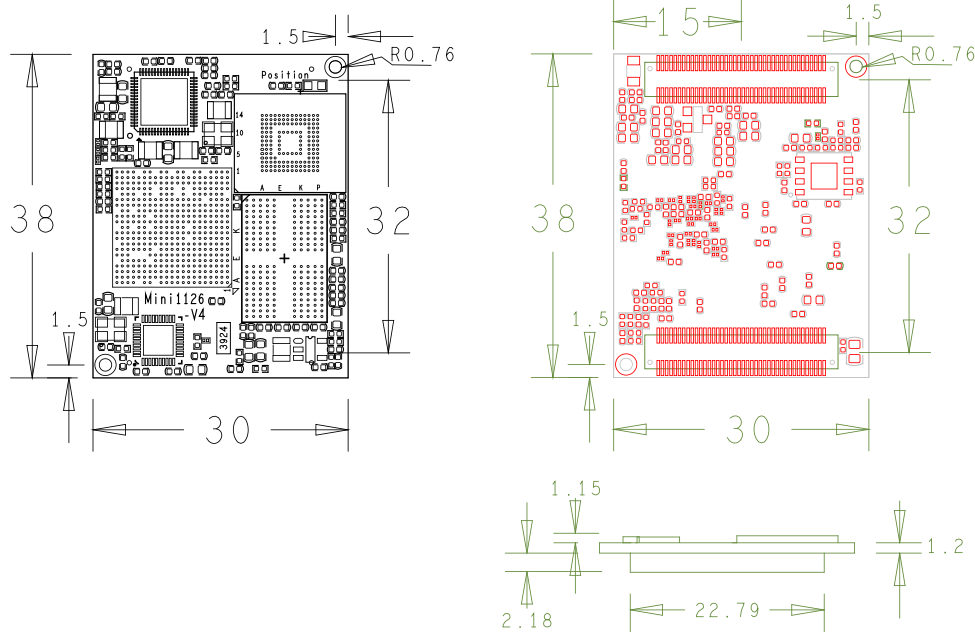


MINI1126

Interface Connection



1 PCB Dimension

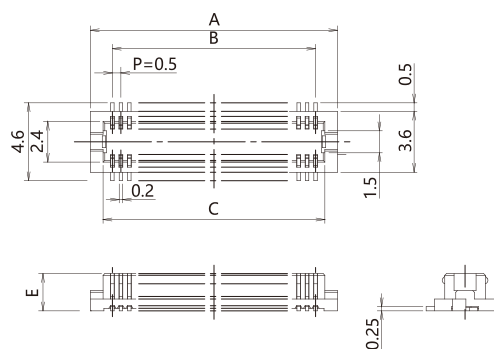
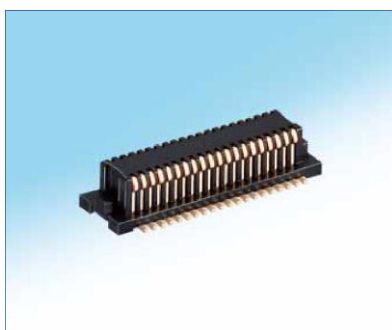


2 Interface Connection

The [EM1126](#) carrier board and core board ([MINI1126](#)) is connected via a board-to-board (BTB) double groove connection. The Receptacle **DF12NC(3.0)-80DS-0.5V(51)** is on the CPU board, and the Header **DF12NC(3.0)-80DP-0.5V(51)** on the baseboard.

2.1 Receptacle Specifications

■ Receptacle Without Solder Tab



● Stacking Height : 3mm Product

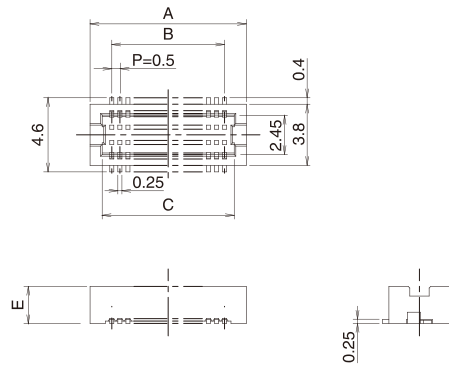
Unit : mm

Part No.	HRS No.	No. of Pos.	A	B	C	E	Remarks	RoHS
DF12NC(3.0)-80DS-0.5V(51)	537-0285-0 51	80	22.1	19.5	20.6	2.2	Without Solder Tab	YES



2.2 Header Specifications

■ Header Without Solder Tab



● Stacking Height : 3mm Product

Unit : mm

Part No.	HRS No.	No. of Pos.	A	B	C	E	Remarks	RoHS
DF12NC(3.0)-80DP-0.5V(51)	537-0492-0 51	80	22.2	19.5	20.7	2.3	Without Solder Tab	YES